

**THE NEW GENERATION IN ENVIRONMENTAL MONITORING SYSTEMS.  
POWERFUL. CONNECTED. INTELLIGENT.**



A UNIQUE, STANDARDIZED, MODULAR AND VALIDATED INFORMATION SYSTEM FOR MONITORING ALL YOUR ENVIRONMENTAL DATA.

### POWERFUL

- Multi-source
- Multi-brand
- Multi-site
- Unique reference for environmental data

### CONNECTED

- Real-time monitoring
- Wireless or wired technology: robust, flexible and adaptive
- Smart devices
- Remote support & Optional cloud service

### INTELLIGENT

- Evolutive compliance
- Customized views tailored to the company profiles
- Data differentiation according to their criticality: GMP, non-GMP...
- Preventive & Predictive maintenance

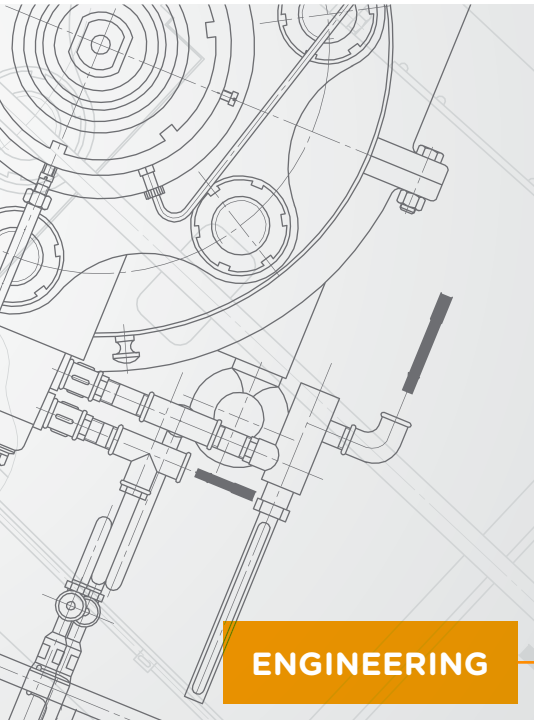
#### OPTIMIZED ALARM MANAGEMENT

- Dynamic alarm definition
- Release in compliance with regulations
- Intelligent management (analytical filter...)

#### FOR THE CONTROLLED ENVIRONMENT

- Life Sciences business minded
- With special focus on clean rooms
- GMP pre-qualification
- 21 CFR part 11 compliance (authentications, signatures...)

## VALUE PROPOSITION



### SYNCHRONOUS & ASYNCHRONOUS TRACKING:

Fixed or portable particle counters...

### ALL-IN SOFTWARE & TECHNOLOGICAL SOLUTION:

Activate what you need!

### UNIVERSAL RECEIVER:

Multi-brand and compatible with all kinds of equipment

### BUILT ON LEADING STANDARDS:

Reliable technology, easy to handle

ENGINEERING



### RISK MANAGEMENT:

- > Traceability
- > Robustness
- > Evolutive compliance
- > Reputation

### TOTAL COST OF OWNERSHIP:

- > Increased room availability
- > Don't invest, rent
- > Drive the evolution without developers

EXECUTIVES

## MAIN FUNCTIONALITIES



## WE PROVIDE EVOLUTIVE AND STATE-OF-THE-ART SOLUTIONS

BiiON is member of the SAPRISTIC group that dedicates 20% of its staff to R&D. Our engineers are always on the lookout for new technologies and functionalities to optimize our products and services. Day in, day out, we build a bold vision of the Life Sciences business while taking into account the challenges of tomorrow in order to offer you evolutive and state-of-the-art solutions. **You are sitting on a goldmine of data, so you better start exploiting them!**