



**THE INTELLIGENT ALARMS AND OTHER EVENTS NOTIFICATION SYSTEM.
INTELLIGENT. UNIVERSAL. INTEGRATED.**



A UNIQUE, DYNAMIC, EVOLUTIVE AND QUALIFIED SYSTEM
TO NOTIFY ALL YOUR ALARMS AND OTHER EVENTS.

INTELLIGENT

- Dynamic notification process
- Prioritization and meta-alarms
- Intelligent management according to the type, criticality, history...

UNIVERSAL

- Universal receiver: from any source
- Universal transmitter: to all kinds of devices
- For all types of messages: environmental data and other data types

INTEGRATED

- Your equipment communicates: the right message, to the concerned person
- Centralized data management integrated within one single system
- Qualified system

**TRACEABILITY
OF THE EVENT LIFE CYCLE**

- Dynamic definition of the notification procedures
- History of all the occurrences, acknowledgements and contexts
- Complete, qualified multi-user profile documentation

**TAILORED
FOR CRITICAL ENVIRONMENTS**

- Customized definition of the criticality levels
- Intelligent custom-built information filter: the right alert to the right profile
- Adequate information after context interpretation



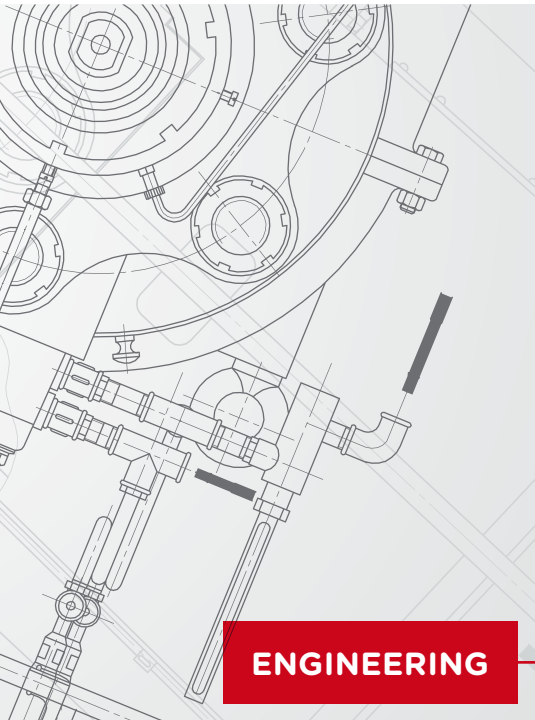
BiiON is part of SAPRISTIC GROUP

Visit our websites:
www.mirrhia.com
www.biion.com
www.sapristic.com

📍 BiiON
Av. Fleming, 8 • B-1348 Louvain-la-Neuve
BELGIUM
☎ +32 10 77 23 00
✉ info@biion.com



VALUE PROPOSITION



ENGINEERING

UNIVERSAL RECEIVER:

Compatible with any source of digital information

MACHINES CAN TWEET:

The right message to the concerned person

NOTIFICATION FOLLOW-UP:

Acknowledgment management

DYNAMIC NOTIFICATION MANAGEMENT:

Identification of the critical issues based on contextual criteria



EXECUTIVES

UNIVERSAL TRANSMITTER:

> Compatible with all types of smart devices

PLANTS CAN TWEET:

> Consolidated vision per site or group of sites

SOURCE OF TRANQUILITY:

> Setup of hierarchy and business profile filters

CRITICALITY MANAGEMENT:

> No more alert overload: pertinent, well targeted alarms

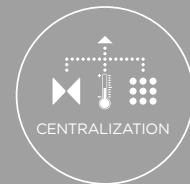
MAIN FUNCTIONALITIES



FULL LIFE CYCLE



PRIORITIZATION & RATIONALIZATION



CENTRALIZATION



option

CLOUD SERVICE



REPORTS & TRACEABILITY



MULTI-SITE



GMP

COMPLIANT

WE PROVIDE EVOLUTIVE AND STATE-OF-THE-ART SOLUTIONS

BiiON is member of the SAPRISTIC group that dedicates 20% of its staff to R&D. Our engineers are always on the lookout for new technologies and functionalities to optimize our products and services. Day in, day out, we build a bold vision of the Life Sciences business while taking into account the challenges of tomorrow in order to offer you evolutive and state-of-the-art solutions. **You are sitting on a goldmine of data, so you better start exploiting them!**